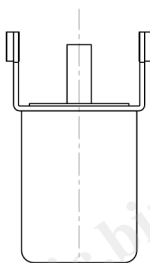


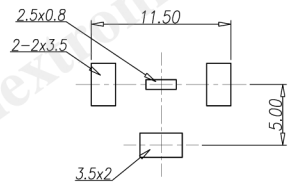
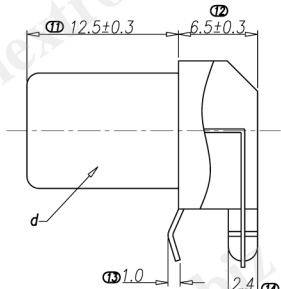
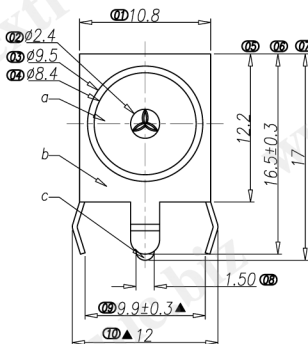
CATEGORY	DESCRIPTION	P/N #
CONNECTOR	TV9.5, MALE	RF010R-11P60-000M

- ▲ A02 1. Shell的材料由Steel變更為Copper Alloy  
 2. Outer Contact的厚度由0.4mm變更為0.2mm

REV.	ECN NO	DESCRIPTION	REVISED	DATE
A01		New Release	Luguan	2009.12.18
A02	ECN100317001	依實物修改圖面	GMC	2010.03.17



\*▲ is important dimensions



Recommend PCB Layout  
 (Jack Top View)  
 Tolerance: ±0.05mm  
 Recommend PCB Thickness: 1.6mm

d	Outer Contact	1	1SH-RFM102-00	Brass, T=0.2mm(C2680)	▲ A02	CuSn Plating(80~120u")	
c	Center Pin	1	1TM-RFM101-00	Brass, T=0.3mm(C2680)		CuSn Plating(80~120u")	
b	Shell	1	1SH-RFM101-00	Brass, T=0.4mm(C2680)	▲ A02	CuSn Plating(80~120u")	
a	Housing	1	1HS-RFM101-00	PA66 UL94V-0		Black	
NO.	PART NAME	Q'TY	PART NUMBER	MATERIAL		PLATING & COLOR	Remark

UNLESS OTHERWISE SPECIFIED TOLERANCES		SCALE: 1/1	UNIT: mm	⊕ ⊖	DWG. NO:
		SIZE: A3	PAGE: 1 OF 1	REV: A02	WI-061-788
DECIMALS:	ANGLES:	APPROVED BY		CHECKED BY	
X : ±0.3	X : ±1°	XZQ		PJ	
X.X : ±0.2	X.X : ±0.5°			PREPARED BY	
X.XX : ±0.1				GMC	
X.XXX : ±0.05		<b>ENGINEERING COPY</b>			